

## Air Service Units

Metal Work air service units are used globally in applications such as breathing quality air, industrial machinery, controlling the boost pressure on turbocharged cars and spraypainting to name just a few.

We have 4 different ranges of air service units offering different advantages and benefits, here is a brief overview :-

### BIT

The Metal Work BIT range offers polymer bodied filters, regulators, lockable regulators, lubricators and coalescing filters in port sizes 1/8" and 1/4".

Regulators are available with 2, 4, 8 or 12bar maximum output pressure and are also available for use on water, with quick relief of the downstream pressure and controlled relief to allow greater accuracy.

BIT offers low cost, light weight and compact size.



### New Deal

The Metal Work New Deal range is a rugged die-cast air service range in port sizes 1/4" to 1".

New Deal includes filters, regulators, lockable regulators, pilot assisted regulators, lubricators, coalescing filters, shut off valves and proportional regulators.

Regulators are available with 2, 4, 8 or 12bar maximum output and have through holes to allow direct mounting plus a separate mounting bracket is also available.

These units are designed for use at high pressures (some components up to



18bar) and have integral bowl guards.

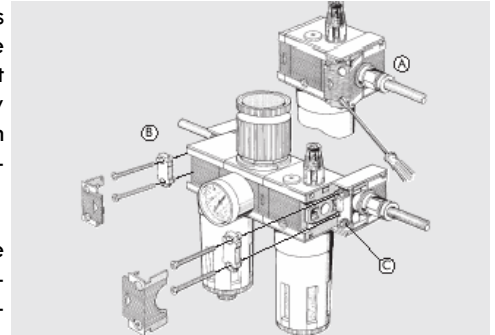
Pilot assisted regulators allow a large regulator to be mounted where it is needed but controlled from a remote location such as a control panel. The picture to the right shows a New Deal pilot assisted regulator mounted between a filter & lubricator. On top is a small regulator to adjust the set pressure and an on/off selector that

allows the regulator to be used as a shut-off valve.

### Skillair

The Metal Work Skillair range offers compactness, modularity and easy maintenance.

The design allows components to be changed without disturbing any pipework which reduces maintenance costs.



The Skillair range includes regulators, pilot operated regulators, precision regulators, proportional regulators, filters, filter/regulators, lubricators, coalescing filters, carbon activated filters, progressive starter valves, diaphragm dyers and pressure switches. Port sizes range from 1/4" to 2".

Skillair offers a solution to every air service unit application from breathing quality air to a simple regulator.

Rolling diaphragm regulators allow higher flow rates and more sensitive operation

There are lubricators that can automatically fill themselves reducing maintenance time. Instead of removing a bowl to refill with oil there is just a remote reservoir (at ambient pressure)

to top up, level switches automatically top up the oil in the lubricator.



Proportional pressure regulators allow accurate pressure control via a proportional pressure switch and a controlling PLC. The proportional regulator can also be mounted to a pilot assisted regulator to give much higher flow rates.

Overall Skillair offers the most complete range of air service units to build a configuration to suit every application.

### ONE

The ONE unit is an innovation in air service unit design. Compact, light-weight and unique.



If you need any further information on Metal Work air service units please do not hesitate to contact us.